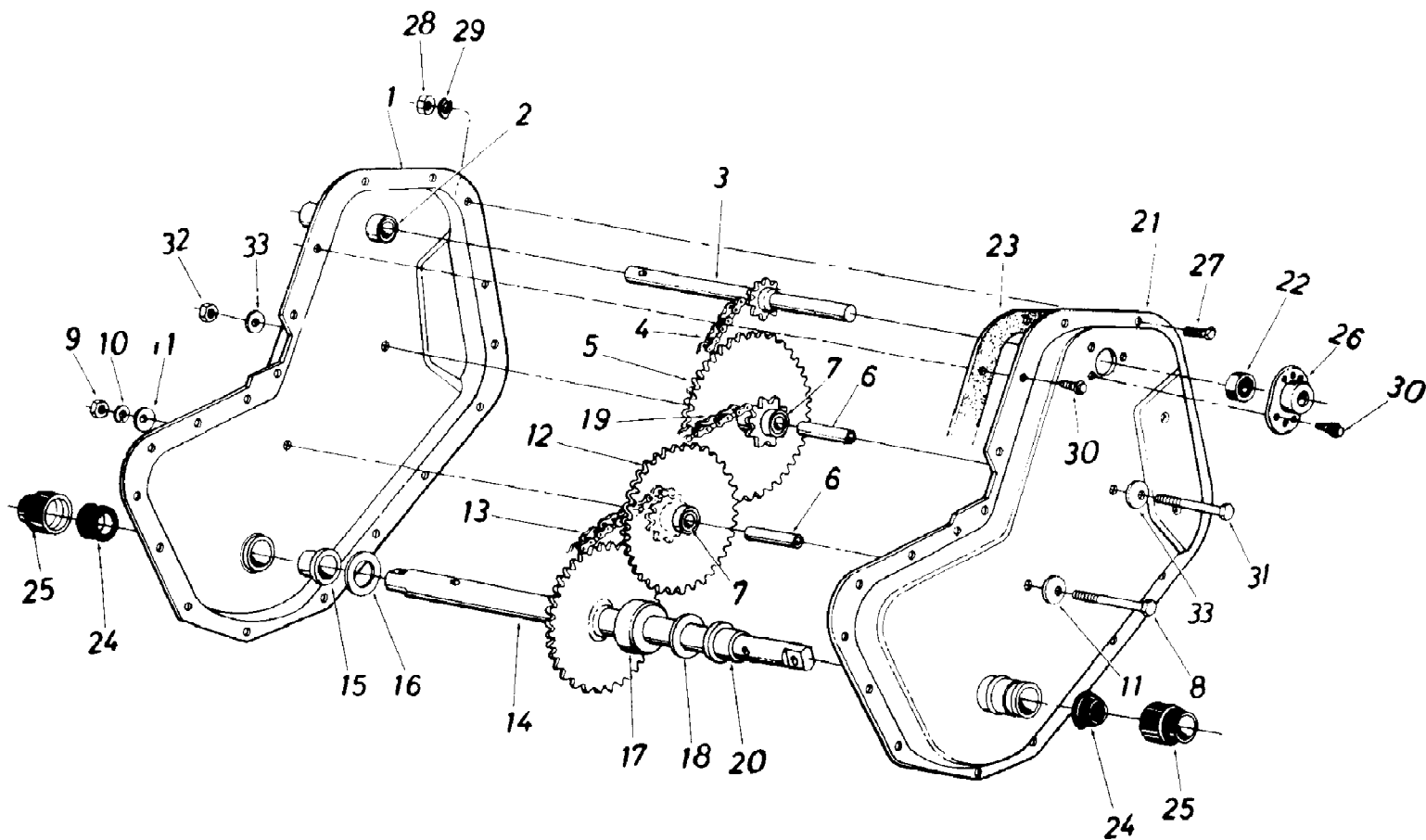


215-406-190 5 HP Rear Tine Tiller RB-560 (1985)  
Chain Case (Tine)

Page 2 of 12

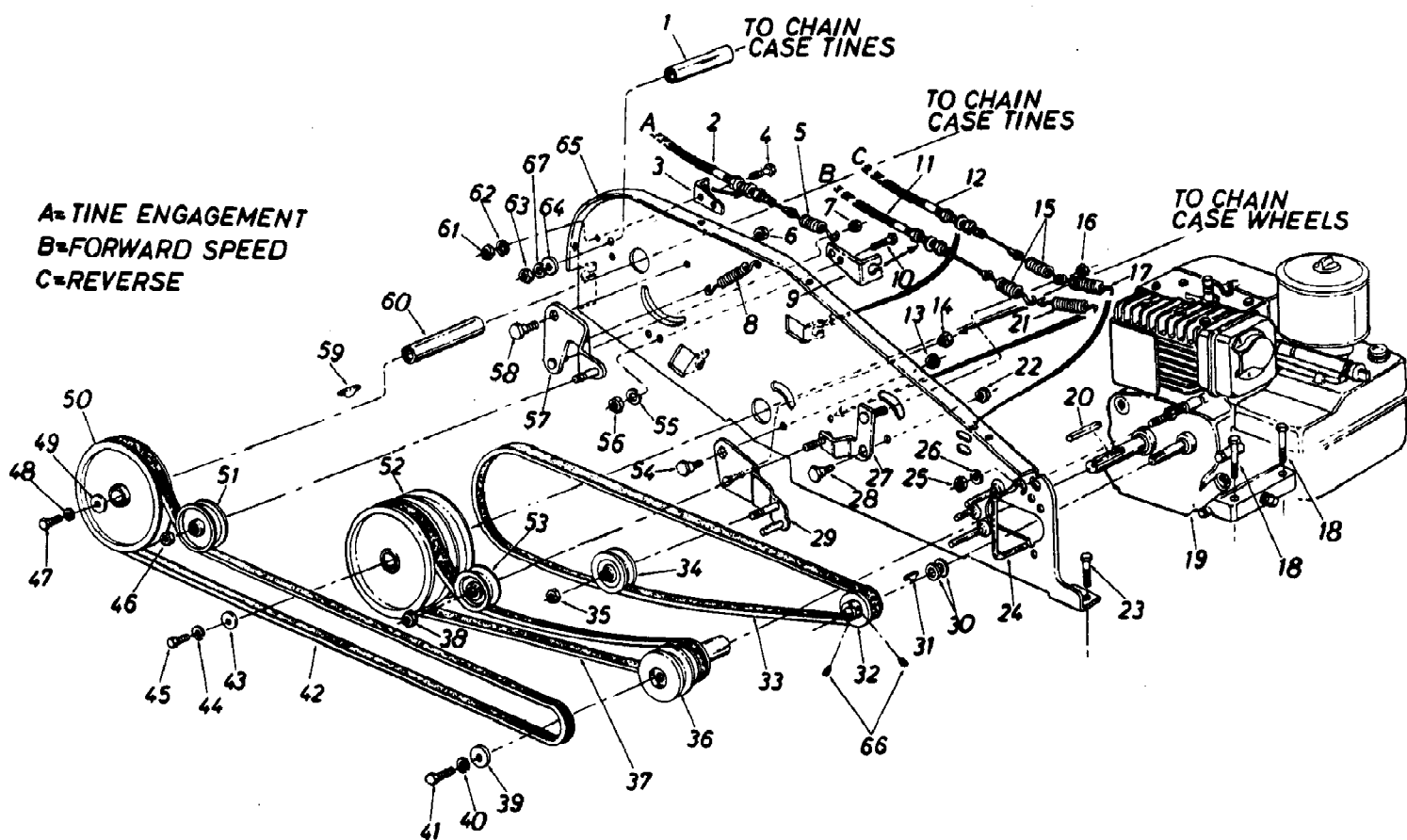
Ref #	Part Number	Qty	S/P/F	Description
1	736-0176	1	S	FI-Wash. 1/4" I.D. x .93" O.D. x .120
2	736-0329	1	S	L-Wash. 1/4" I.D.*
3	710-0513	1		Hex Bolt 1/4-28 x .62" Lg. w/ Patch
4	716-0131	1	S	External Snap Ring 5/8" Dia.
5	784-0139	1		Input Shaft Ass'y.
6	741-0304	1		Bearing 5/8" I.D. x 3/4" O.D. x 1.860" Lg.
7	750-0275	1		Sprocket Hub Tubing 3/8" I.D. x 5/8" O.D. x 1.90
8	710-0629	1		Hex Bolt 3/8-24 x 2.75" Lg.*
9	736-0258	1	/P	FI-Wash. 3/8" I.D. x 1.25" O.D. x .10
10	713-0331	1	S	Sprocket Ass'y.
11	713-0328	1	S	#50 Chain 5/8" Pitch x 46 0 Links Endless
12	14986	1		Tine Shaft Ass'y.
13	731-0487	1	S	Dust Cup
14	721-0175	1	S	Seal Ring Single Lip Springless
15	14984	1	S	Ass'y. Tiller Housing R.H.
16	721-0170	1		Gasket
17	14985	1		Ass'y. Tiller Housing L.H.
18	731-0374	1	S	Flange Brg. 1.00" I.D.
19	736-0163	1	S	FI-Thrust Wash. 1.0" I.D. x .03 Thk.
20	750-0570	1	S	Step Spacer
21	736-0169	1	S	L-Wash. 3/8" I.D.
22	712-0711	1	/P	Hex Nut 3/8-24 Thd.
23	713-0327	1	S	#35 Chain 3/8" Pitch x 52 Links Endless
24	05034	1	S	Bearing Housing 1.38" I.D.
25	750-0471	1	S	Spacer
26	741-0155	1	S	Ball Bearing .625" I.D. x 1.38" O.D. x .437
27	710-0599	1	/P	Hex Wash. SF-Tap Scr. 1/4-20 x .50" Lg.
28	736-0329	1	S	L-Wash. 1/4" I.D.*
29	710-0118	1	S	Hex Bolt 5/16-18 x .75" Lg.*
30	712-0267	1	S	Hex Nut 5/16-18 Thd.*
31	736-0119	1	S	L-Wash. 5/16" I.D.*
32	710-0599	1	/P	Hex Wash. SF-Tap Scr. 1/4-20 x .50" Lg.
33	710-0653	1	/P	Hex Wash. Hd. Tap Scr. 1/4-20 x .38" Lg.
34	736-0270	1	/P	Bell-Wash. .265" I.D. x .751" O.D.
	737-0133	1	S	Grease Plastilube #0 (12 oz.)



215-406-190 5 HP Rear Tine Tiller RB-560 (1985)  
Chain Case (Wheels)

Page 4 of 12

Ref #	Part Number	Qty	S/P/F	Description
1	14962	1		Chain Case Half Ass'y. R.H..
2	748-0154	1		Bearing 5/8" I.D. x .813" O.D. x 1.31" Lg.
3	784-0136	1	S	Input Shaft Ass'y
4	713-0325	1	S	Chain #35 3/8" Pitch x 44 Links
5	713-0316	1		Sprocket and Hub Ass'y.
6	750-0351	1		Bearing Inner Axle
7	741-0228	1	S	Sleeve Brg. 5/8" I.D. x 3/4" O.D. x 1.50
8	710-0369	1	/P	Hex Bolt 3/8-24 x 2.50" Lg.*
9	712-0116	1	S	Hex Ins. L-Nut 3/8-24 Thd.
10	736-0169	1	S	L-Wash. 3/8" I.D.*
11	736-0219	1	S	Bell-Wash. .41" I.D. x 1.13" O.D. x .03
12	713-0330	1		Sprocket & Hub Ass'y. 9T-22T
13	713-0326	1	S	#420 Chain 1/2 Pitch x 28 Links Endless
14	784-0126	1		Wheel Shaft Ass'y
15	741-0227	1		Flange Bearing
16	736-0265	1	/P	FI-Wash. .88" I.D. x 1.5" O.D. x .03
17	750-0354	1	S	Spacer 7/8" I.D. x 13/4" O.D. x .68" Lg.
18	736-0265	1	/P	FI-Wash. .88" I.D. x 1.50" O.D. x .03
19	713-0267	1		#420 Chain 1/2" Pitch x 30 Links Endless
20	741-0227	1		Flange Bearing
21	15797	1		Chain Case Half Ass'y. L. H .
22	741-0155	1	S	Bear ng
23	721-0156	1	S	Gasket
24	721-0157	1		Seal
25	731-0486	1		Dust Cup
26	05034	1	S	Bearing Housing
27	710-0195	1	S	Hex Bolt 1/4-28 x 5/8" Lg.
28	712-0138	1	S	Hex Nut 1/4-28 Thd.
29	736-0329	1	S	L-Wash. 1/4" I.D.*
30	710-0599	1	/P	Hex Wash. S-Tap Scr. 1/4-20 x .50" Lg.
31	710-0378	1	/P	Hex Bolt 5/16-18 x 2.5" Lg.
32	712-0158	1	S	Hex Cent. L-Nut 5/16-18 Thd.
33	736-0159	1	S	FI-Wash. 5/16" I.D.
	737-0133	1	S	Grease Plastilube #0 (10 oz)



215-406-190 5 HP Rear Tine Tiller RB-560 (1985)  
Drive Assembly

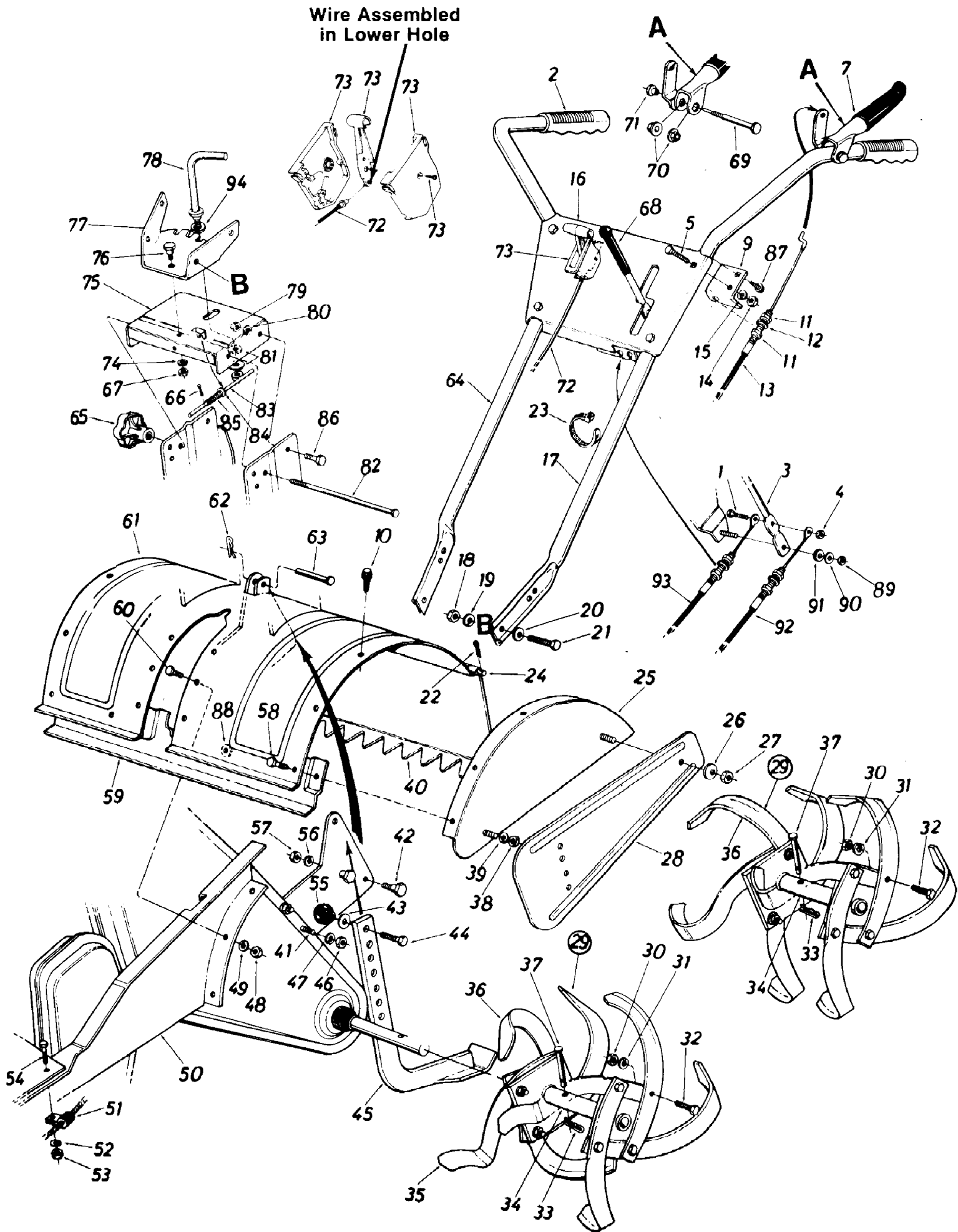
Page 6 of 12

Ref #	Part Number	Qty	S/P/F	Description
1	750-0219	1		Spacer.375" I.D. x .500" O.D. x 2.00" Lg.
2	746-0535	1	S	Clutch Control Cable (Tines)
3	15093	1	S	Clutch Cable Bracket
4	710-0118	1	S	Hex Bolt 5/16-18 x .75" Lg.*
5	732-0387	1		Extension Spring .50" O.D. x 2.50" Lg.
6	712-0266	1	S	Hex Cent. L-Nut 3/8-16 Thd.
7	712-0107	1	S	Hex Cent. L-Nut 1/4" Thd.
8	732-0445	1	/P	Extension Spring .50" O.D. x 1.55" Lg.
9	15093	1	S	Clutch Cable Bracket
10	710-0118	1	S	Hex Bolt 5/16-18 x .75" Lg.*
11	746-0571	1	S	Clutch Control Cable 42" Lg. (Forward)
12	746-0572	1	S	Clutch Control Cable 41" Lg. (Reverse)
13	712-0266	1	S	Hex Cent. Nut 3/8-16 Thd.
14	712-0107	1	S	Hex Cent. L-Nut 1/4-20 Thd.
15		1		Springs (Part of Ref. No. 11 and 12)
16	712-0107	1	S	Hex Cent. L-Nut 1/4-20 Thd.
17	732-0486	1		Extension Spring .41" O.D. x 2.05" Lg.
18	710-0442	1	S	Hex Bolt 5/16-18 x 1.50" Lg.*
19		1		5 H.P. Engine B&S 130292-1785-01
20	714-0105	1	S	Sq. Key 3/16 x 1.00" Lg.
21	732-0433	1		Extension Spring .50" O.D. x 2.75" Lg.
22	712-0266	1	S	Hex Cent. L-Nut 3/8-16 Thd.
23	710-0118	1	S	Hex Bolt 5/16-18 x .75" Lg.*
24	747-0507	1		Belt Keeper
25	712-0287	1	S	Hex Nut 1/4-20 Thd.*
26	736-0270	1	/P	Bell-Wash. .265" I.D. x .75" O.D.
27	784-0131	1		Idler Brkt. Ass'y. (Wheel Reverse)
28	738-0147	1		Shld. Bolt .500" Dia. x .170
29	784-0127	1		Idler Brkt. Ass'y. (Wheel Forward)
30	736-0326	1	S	FI-Wash. .510" I.D. x 1.0" O.D.
31	714-0131	1		#5 Hi-Pro-Key 1/8" x 5/8" Dia.
32	756-0386	1		1/2" V-Pulley 2.25" O.D. x .503" I.D.
33	754-0109	1	S	"V"-Belt 1/2" X 43.0" Lg.
34	756-0166	1	S	"V"-Belt Idler 2.62" O.D.
35	712-0116	1	S	Hex Ins. L-Nut 3/8-24 Thd.
36	756-0465	1		1/2" "V" Pulley Ass'y.
37	754-0190	1	S	"V"-Belt 1/2" X 39.0" Lg.
38	712-0116	1	S	Hex Ins. L-Nut 3/8-24 Thd.
39	736-0231	1	S	FI-Wash. .344" I.D. x 1.125" O.D.
40	736-0119	1	S	L-Wash. 5/16" I.D.*
41	710-0117	1	S	Hex Bolt 5/16-24 x 1.00" Lg.*
42	754-0195	1	S	"V"-Belt 1/2" X 54.0" Lg.
43	736-0176	1	S	FI-Wash. 1/4" I.D. x .93" O.D.
44	736-0329	1	S	L-Wash. 1/4" I.D.*
45	710-0412	1	/P	Hex Bolt 1/4-28 X .75" Lg.
46	712-0116	1	S	Hex Ins. L-Nut 3/8-24 Thd.
47	710-0412	1	/P	Hex Bolt 1/4-28 X .75" Lg.
48	736-0329	1	S	L-Wash. 1/4" I.D.*
49	736-0176	1	S	FI-Wash. 1/4" I.D. x .93" O.D.
50	756-0389	1	S	FI-Pulley w/ Flanges 6.0" O.D.
51	756-0405	1	/P	FI-Idler w/ Flanges 3.75" O.D.
52	756-0464	1		Double FI-Pulley 5/8" I.D. x 6.0" O.D.
53	756-0313	1		FI-Pulley w/ Flanges 2.12" O.D.

215-406-190 5 HP Rear Tine Tiller RB-560 (1985)  
Drive Assembly

Page 7 of 12

Ref #	Part Number	Qty	S/P/F	Description
54	738-0147	1		Shld. Bolt .500" Dia. x .170"Lg.
55	736-0119	1	S	L-Wash. 5/16" I.D.*
56	712-0267	1	S	Hex Nut 5/16-18 Thd.*
57	784-0129	1		Idler Brkt. Ass'y.-Tines
58	738-0183	1	S	Shld. Bolt. .500" Dia. x .215" Lg.
59	714-0388	1	S	61 Hi-Pro-Key 3/16" x 5/8" Dia.
60	750-0551	1		Spacer .647" I.D. x 2.75" Lg.
61	712-0267	1	S	Hex Nut 5/16-18 Thd.*
62	736-0119	1	S	L-Wash. 5/16" I.D.*
63	712-0267	1	S	Hex Nut 5/16-18 Thd.*
64	736-0185	1	S	Fl-Wash. .406" I.D. x .750" O.D.
65	14991	1		Side Plate Ass'y.
66	710-0938	1		Set Scr. 1/4-28 X .25" Lg.
67	736-0119	1	S	L-Wash. 5/16" I.D.*
	777-4553	1		"WHITE" Plastic Logo
	777-4539	1		"ROTO BOSS 560" Label
	777-3774	1		Throttle Label
	777-3650	1		Tine Label-Left Handle
	777-4031	1		Choke Label
	777-2751	1		Tilling Depth Label
	777-4455	1		Tine Shield Caution Label





215-406-190 5 HP Rear Tine Tiller RB-560 (1985)  
Handles & Frame Assembly

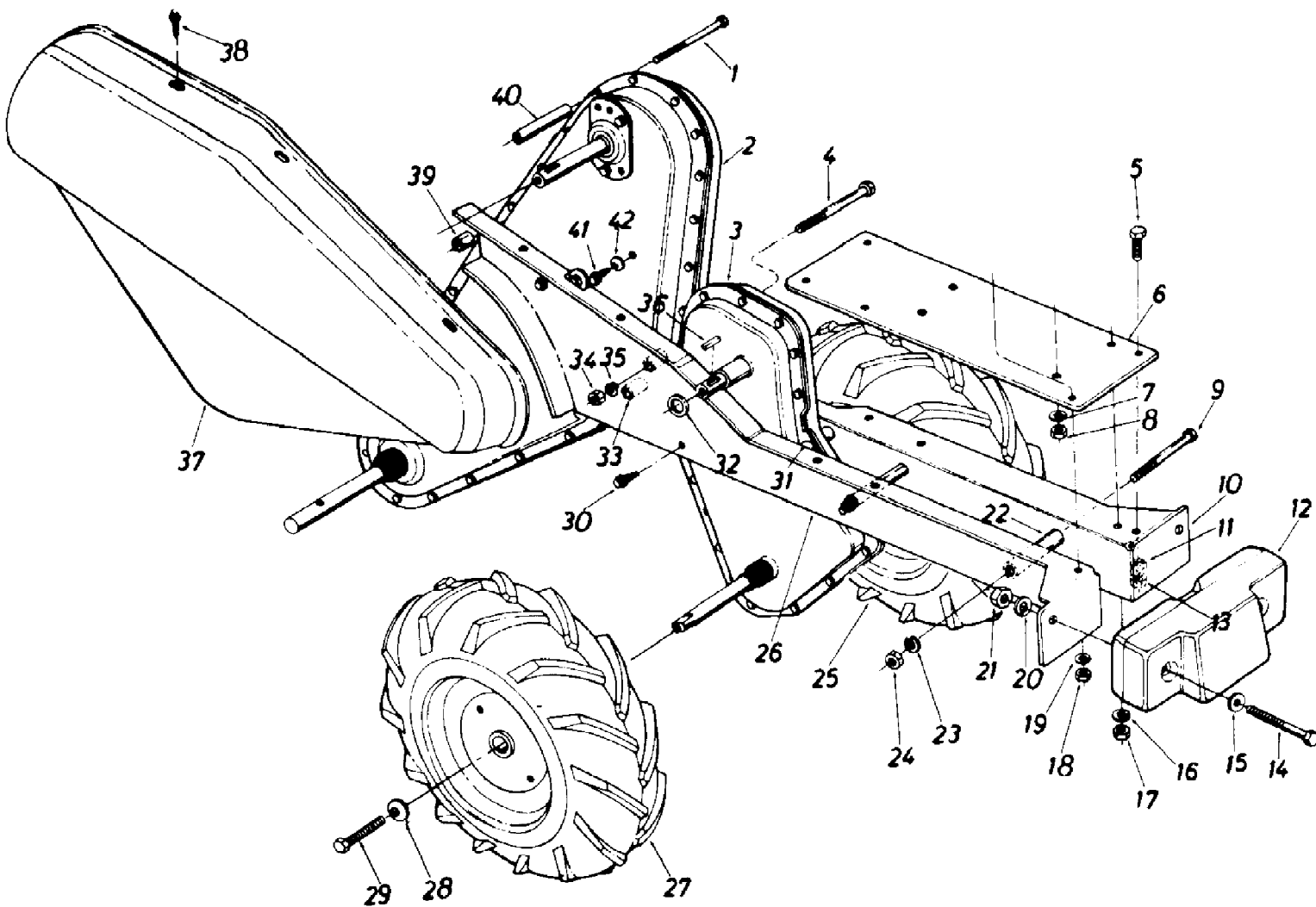
Page 9 of 12

Ref #	Part Number	Qty	S/P/F	Description
1	710-0299	1		Hex Bolt 1/4-28 x 1.0" Lg.*
2	720-0180	1	S	Grip
3	747-0517	1		Clutch Lever
4	712-0117	1	S	Hex Cent. L-Nut 1/4-28 Thd.
5	710-0458	1	/P	Carr. Bolt 5/16-18 x 1.75"**
7	784-0031	1		Clutch Grip Ass'y. L.H.
9	15093	1	S	Clutch Cable Bracket
10	710-0607	1	/P	Hex Wash. S-Tap Scr. 5/16-18 x .62" Lg.
11	712-0256	1	/P	Hex Nut 5/16-24 Thd.
12	736-0119	1	S	L-Wash. 5/16" I.D.*
13	746-0535	1	S	Clutch Control Cable (Tines)
14	712-0267	1	S	Hex Nut 5/16-18 Thd.*
15	736-0119	1	S	L-Wash. 5/16" I.D.*
16	784-0133	1		Handle Panel Ass'y.
17	749-0643	1		Handle L.H.
18	712-0798	1	/P	Hex Nut 3/8-16 Thd.*
19	736-0169	1	S	L-Wash. 3/8" I.D.*
20	736-0105	1	/P	Bell-Wash. 3/8" I.D.
21	710-0253	1	S	Hex Bolt 3/8-16 x 1.00" Lg.*
22	714-0507	1	S	Cotter Pin 3/32" Dia. x 3/4"**
23	725-0157	1	/P	Cable Tie
24	747-0432	1		Tiller Flap Rod
25	14989	1		End Cover Ass'y. L.H.
	14990	1		End Cover Ass'y. R.H. (Not Shown)
26	736-0242	1	/P	Bell-Wash. 5/16" I.D.
27	712-0267	1	S	Hex Nut 5/16-18 Thd.*
28	15390	1	S	Side Shield
29	15397	1	S	L.H. Tine Ass'y. Comp.
	15398	1		R.H. Tine Ass'y. Comp. (Not Shown)
30	712-0241	1	/P	Hex Nut 3/8-24 Thd.*
31	736-0169	1	S	L-Wash. 3/8" I.D.*
32	710-0191	1	/P	Hex Bolt 3/8-24 x 1.25" Lg.*
33	714-0149	1	S	Hairpin Cotter
34	14978	1		Tine Adapter Ass'y.
35	742-0106	1	S	Tine 12" R.H.
36	742-0105	1		Tine 12" L.H.
37	711-0415	1	S	Clevis Pin 3/8" Dia.
38	712-0267	1	S	Hex Nut 5/16-18 Thd.*
39	736-0119	1	S	L-Wash. 5/16" I.D.*
40	14979	1	S	Tine Shield Flap
41	710-0736	1		Hex Bolt 5/16-18 x 1.0" Lg.*
42	738-0507	1	S	Shld. Bolt 1/2" Dia. x .426"
43	736-0117	1	S	FI-Wash. 3/8" I.D. x 5/8" O.D.
44	710-0216	1	/P	Hex Bolt 3/8-16 x 3/4" Lg.*
45	14992	1	S	Depth Bar Ass'y.
46	712-0267	1	S	Hex Nut 5/16-18 Thd.*
47	736-0119	1	S	L-Wash. 5/16" I.D.*
48	712-0267	1	S	Hex Nut 5/16-18 Thd.*
49	736-0119	1	S	L-Wash. 5/16" I.D.*
50	14975	1		Frame Rail L.H.
51	726-0175	1	/P	Clamp 5/16" Dia.
52	736-0119	1	S	L-Wash. 5/16" I.D.*
53	712-0267	1	S	Hex Nut 5/16-18 Thd.*

215-406-190 5 HP Rear Tine Tiller RB-560 (1985)  
Handles & Frame Assembly

Page 10 of 12

Ref #	Part Number	Qty	S/P/F	Description
54	710-0118	1	S	Hex Bolt 5/16-18 x 3/4" Lg.*
55	720-0165	1	S	Ball Knob 1/4" Dia.
56	736-0169	1	S	L-Wash. 3/8" I.D.*
57	712-0798	1	/P	Hex Nut 3/8-16 Thd.*
58	710-0118	1	S	Hex Bolt 5/16-18 x .75" Lg.*
59	15393	1		Brkt. Reinforcement
60	710-0118	1	S	Hex Bolt 5/16-18 x .75" Lg.*
61	784-0026	1		Tine Shield Ass'y.
62	714-0149	1	S	Hairpin Cotter
63	711-0415	1	S	Clevis Pin 3/8" Dia.
64	749-0642	1		Handle R.H.
65	720-0195	1		Hand Knob
66	714-0127	1	/P	Cotter Pin 1/16" Dia. x .75"*
67	712-0375	1	/P	Hex Cent. L-Nut 3/8-16 Thd.
68	720-0143	1		Grip
69	738-0575	1		Shoulder Bolt .375" Dia. x 1.37" Lg.
70	741-0402	1	S	Hex Flange Plastic Bearing
71	738-0561	1	S	Shoulder Nut 1/4-20 Thd.
72	746-0502	1	S/F	Throttle Control Wire
73	831-0692	1	S/F	Throttle Control Box Ass'y.
74	736-0219	1	S	Bell-Wash. .40" I.D. x 1.13"
75	784-0022	1		Handle Pivot Bracket
76	738-0281	1	S	Shoulder Bolt 5/8" Dia. x .165" Lg.
77	784-0019	1		Handle Mtg. Bracket
78	784-0025	1		Adj. Handle Ass'y.
79	712-0375	1	/P	Hex Cent. L-Nut 3/8-16 Thd.
80	736-0105	1	/P	Bell-Wash. .40" I.D. x .88"
81	736-0253	1	S	Bell-Wash. 1/2" I.D. x 1.00"
82	711-0765	1		Lock Pin 5/16" Dia. x 8"
83	784-0023	1		Lower Sliding Ass'y.
84	736-0463	1	S	FI-Wash. .291" I.D. x .62"
85	732-0145	1	/P	Compression Spring .36" O.D. x 1.00" Lg.
86	738-0147	1		Shoulder Bolt 1/2" Dia. x .170" Lg.
87	710-0599	1	/P	Hex Wash. S-Tap Scr. 1/4-20 x.50" Lg.
88	736-0242	1	/P	Bell-Wash. 5/16" I.D.
89	712-0158	1	S	Hex Cent. L-Nut 5/16-18 Thd.
90	736-0159	1	S	FI-Wash. .344" I.D. x .87"
91	735-0126	1	S	Rubber Wash. .33 I.D. x .87 "
92	746-0571	1	S	Control Cable (Forward)
93	746-0572	1	S	Control Cable (Reverse)
94	736-0285	1	/P	FI-Wash. .62" I.D. x 1.57"



Ref #	Part Number	Qty	S/P/F	Description
1	710-0189	1	/P	Hex Bolt 5/16-18 x 3.00" Lg.*
2	784-0106	1		Chain Case Ass'y. Comp. Tines
3	784-0104	1		Chain Case Ass'y. Comp. Wheels
4	710-0189	1	/P	Hex Bolt 5/16-18 x 3.00" Lg.*
5	710-0118	1	S	Hex Bolt 5/16-18 x .75" Lg.*
6	14973	1		Engine Mounting Plate
7	736-0119	1	S	L-Wash. 5/16" I.D.*
8	712-0267	1	S	Hex Nut 5/16-18 Thd.*
9	710-0830	1		Hex Bolt 3/8-24 x 3.00" Lg.*
10	14975	1		Frame Rail L.H.
11	736-0119	1	S	L-Wash. 5/16" I.D.*
12	723-0340	1		Weight 35#
13	712-0267	1	S	Hex Nut 5/16-18 Thd.*
14	710-0786	1	/P	Hex Bolt 1/2-13 x 4.00" Lg.*
15	736-0326	1	S	Fl-Wash. .510" I.D. x 1.0" O.D.
16	736-0119	1	S	L-Wash. 5/16" I.D.*
17	712-0267	1	S	Hex Nut 5/16-18 Thd.*
18	712-0267	1	S	Hex Nut 5/16-18 Thd.*
19	736-0119	1	S	L-Wash. 5/16" I.D.*
20	736-0921	1	S	L-Wash. 1/2" I.D.*
21	712-0206	1	S	Hex Nut 1/2-13 Thd.*
22	750-0579	1		Spacer .38" I.D. x .62" O.D. x 2.18" Lg.
23	736-0169	1	S	L-Wash. 3/8" I.D.*
24	712-0241	1	/P	Hex Nut 3/8-24 Thd.*
25	734-1255	1		Wheel Ass'y. Comp. 12.5 x 3.5 L. H.
26	14974	1		Frame Rail R.H.
27	734-1254	1		Wheel Ass'y Comp. 12.5 x 3.5 R. H.
28	736-0242	1	/P	Belleville Wash. .345" I.D. x .88" O.D.
29	710-0237	1	/P	Hex Bolt 5/16-24 x .62" Lg.*
30	710-0600	1	/P	Hex Wash. Hd. SF-Tap Scr. 5/16-24 x .50" Lg.
31	750-0470	1		Spacer .326" I.D. x .47" O.D. x .96" Lg.
32	736-0256	1	S	Fl-Wash. .635" I.D. x 1.00" O.D.
33	750-0470	1		Spacer.326" I.D. x .47" O.D. x .96" Lg. .
34	712-0267	1	S	Hex Nut 5/16-18 Thd.*
35	736-0119	1	S	L-Wash. 5/16" I.D.*
36	714-0122	1	S	Sq. Key 3/16 x .75" Lg.
37	14980	1		Belt Cover
38	710-0599	1	/P	Hex Wash. Hd. SF-Tap Scr. 1/4-20 x .50" Lg.
39	750-0470	1		Spacer .326" I.D. x .47" O.D. x .96" Lg.
40	750-0219	1		Spacer.375" I.D. x .500" O.D. x 2.00" Lg.
41	710-0599	1	/P	Hex Wash. Hd. SF-Tap Scr. 1/4-20 x .50" Lg.
42	736-0270	1	/P	Bell-Wash. .265" I.D. x .75" O.D.